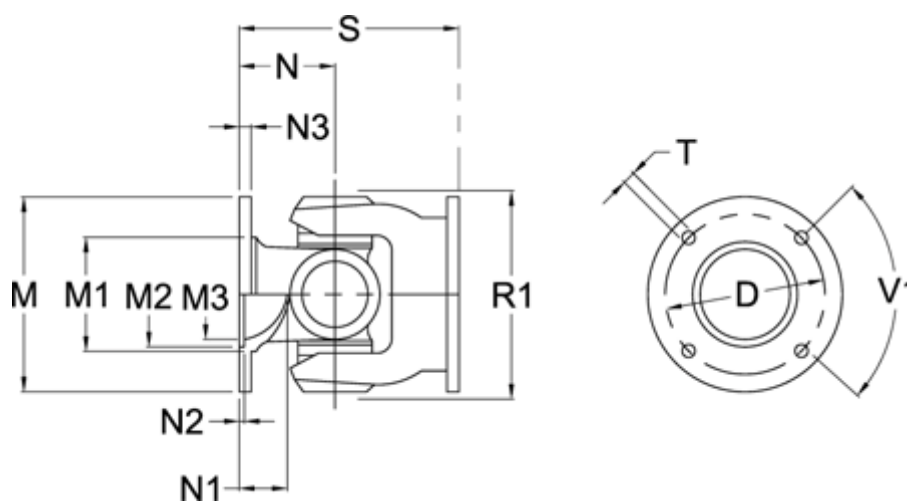


Article number: 07105400001

Description: Universal joint single 0.105.400.001  
S=60 X= Bore with keyway

## Measures



D	= 47 $\pm$ 0,1	N2	= 1,5 $\pm$ 0,3
Flange diameter M	= 58	N3	= 3.5
M1	= 35	Number og Flangeholes	= 4
M2	= 30	R1	= 52
M3	= 26	S min	= 60
Max. Bending Angle degrees	= 30	T	= 5 B12
N	= 30	V1 degrees	= 90
N1	= 10		